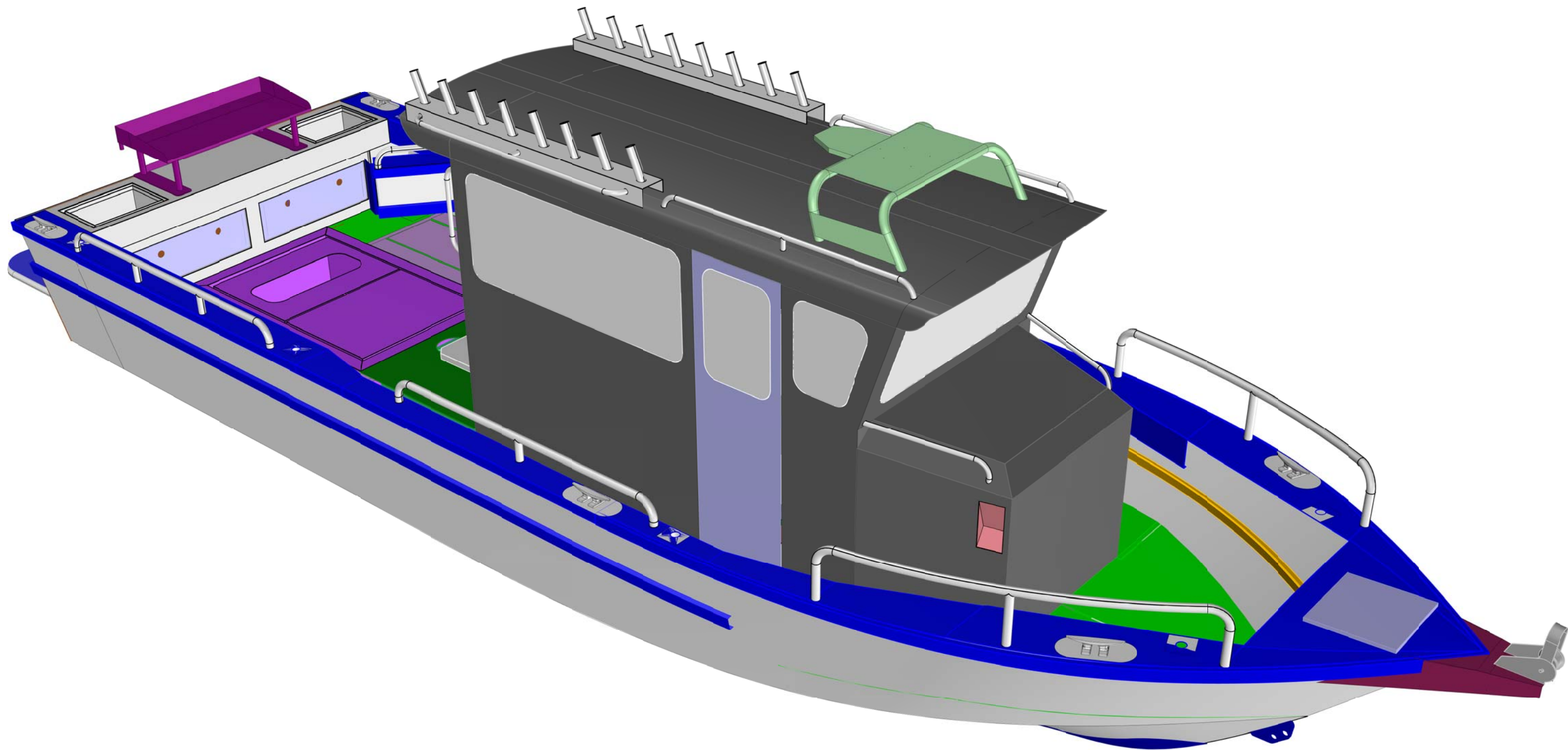


1 2 3 4 5 6 7 8 9 10 11 12 13 14 15 16 17


Q  
P  
O  
N  
M  
L  
K  
J  
I  
H  
G  
F  
E  
D  
C  
B  
A

Q  
P  
O  
N  
M  
L  
K  
J  
I  
H  
G  
F  
E  
D  
C  
B  
A



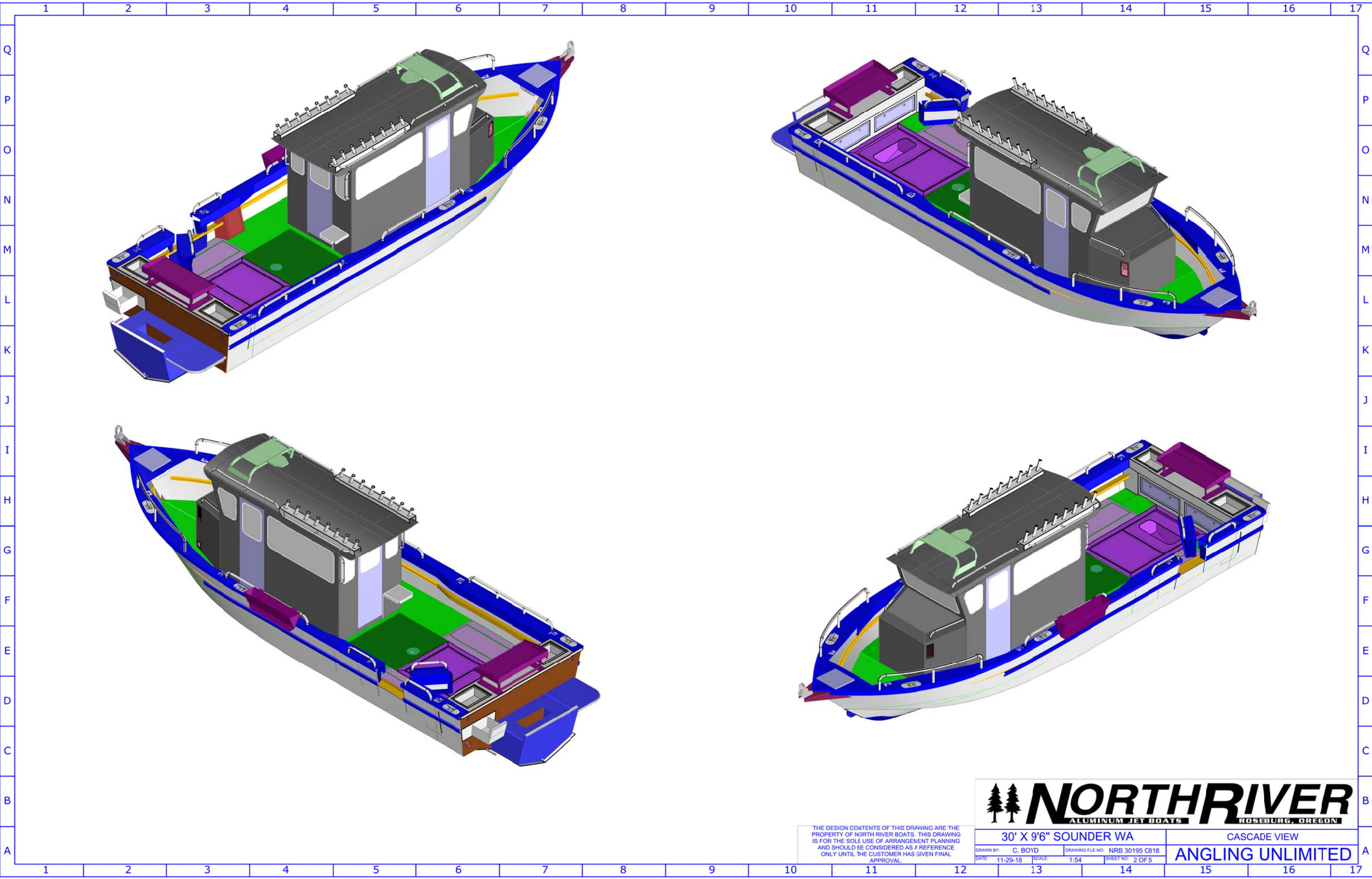
2. ALL DIMENSIONS ARE IN INCHES; UNLESS OTHERWISE SPECIFIED  
 1. FOR REFERENCE ONLY

THE DESIGN CONTENTS OF THIS DRAWING ARE THE PROPERTY OF NORTH RIVER BOATS. THIS DRAWING IS FOR THE SOLE USE OF ARRANGEMENT PLANNING AND SHOULD BE CONSIDERED AS A REFERENCE ONLY UNTIL THE CUSTOMER HAS GIVEN FINAL APPROVAL.

	
<b>30' X 9'6" SOUNDER WA</b>	
PERSPECTIVE VIEW	
DRAWN BY: C. BOYD DATE: 11-29-18	DRAWING FILE NO: NRB 30195 C818 SCALE: NTS SHEET NO: 1 OF 5
<b>ANGLING UNLIMITED</b>	

1 2 3 4 5 6 7 8 9 10 11 12 13 14 15 16 17

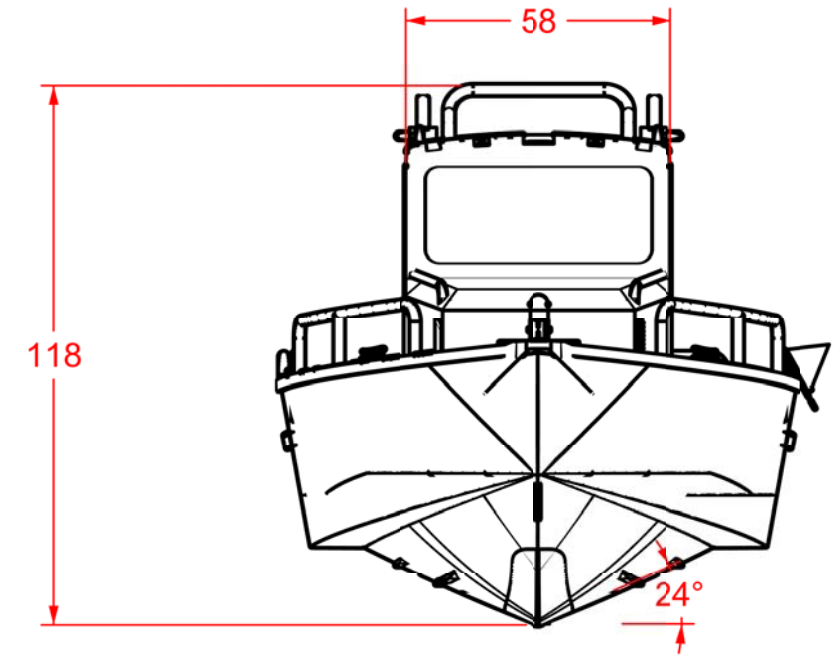
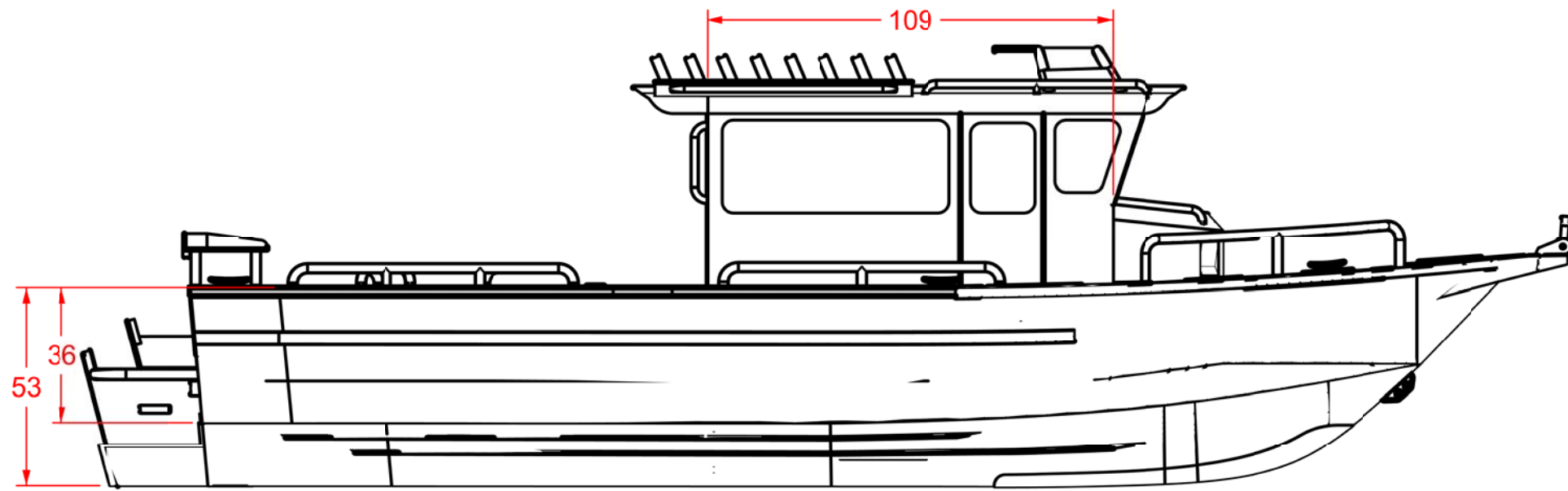
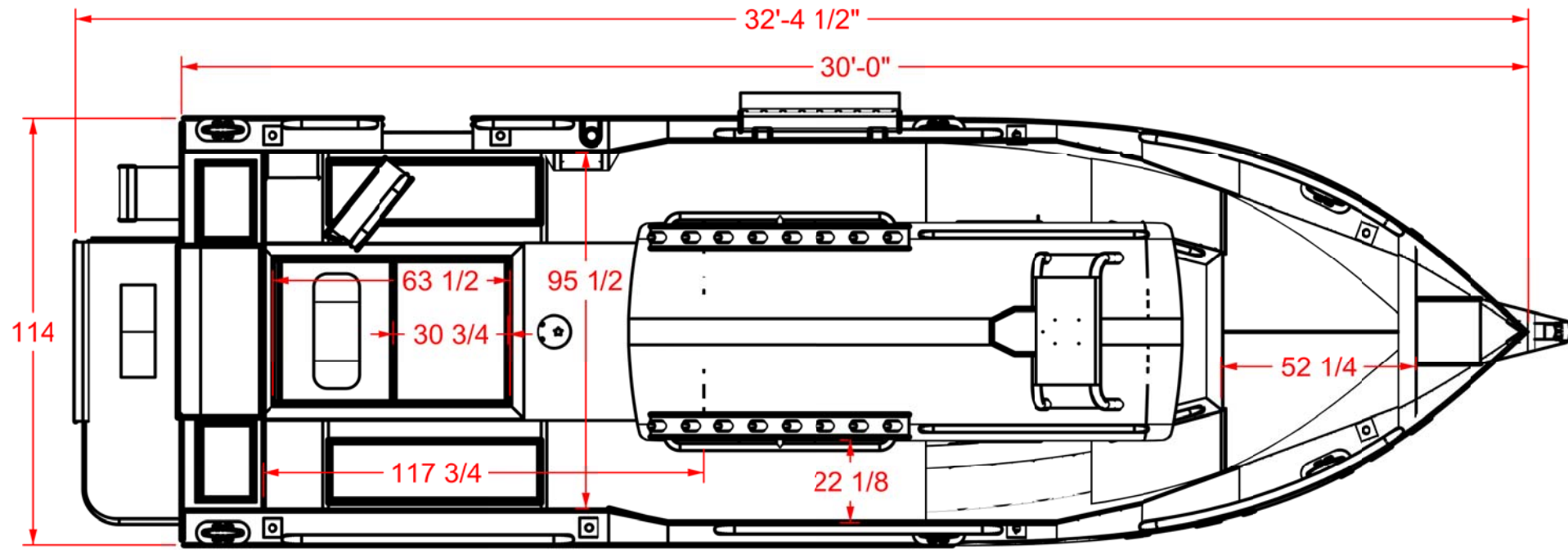




THE DESIGN CONTENTS OF THIS DRAWING ARE THE PROPERTY OF NORTH RIVER BOATS. THIS DRAWING IS FOR THE SOLE USE OF ARRANGEMENT PLANNING AND SHOULD BE CONSIDERED AS A REFERENCE ONLY UNTIL THE CUSTOMER HAS GIVEN FINAL APPROVAL.



30' X 9'6" SOUNDER WA		CASCADE VIEW	
DRAWN BY: C. BOYD	DRAWING FILE NO: NRB 30195 C818	ANGLING UNLIMITED	
DATE: 11-29-18	SCALE: 1:54	SHEET NO: 2 OF 5	



THE DESIGN CONTENTS OF THIS DRAWING ARE THE PROPERTY OF NORTH RIVER BOATS. THIS DRAWING IS FOR THE SOLE USE OF ARRANGEMENT PLANNING AND SHOULD BE CONSIDERED AS A REFERENCE ONLY UNTIL THE CUSTOMER HAS GIVEN FINAL APPROVAL.



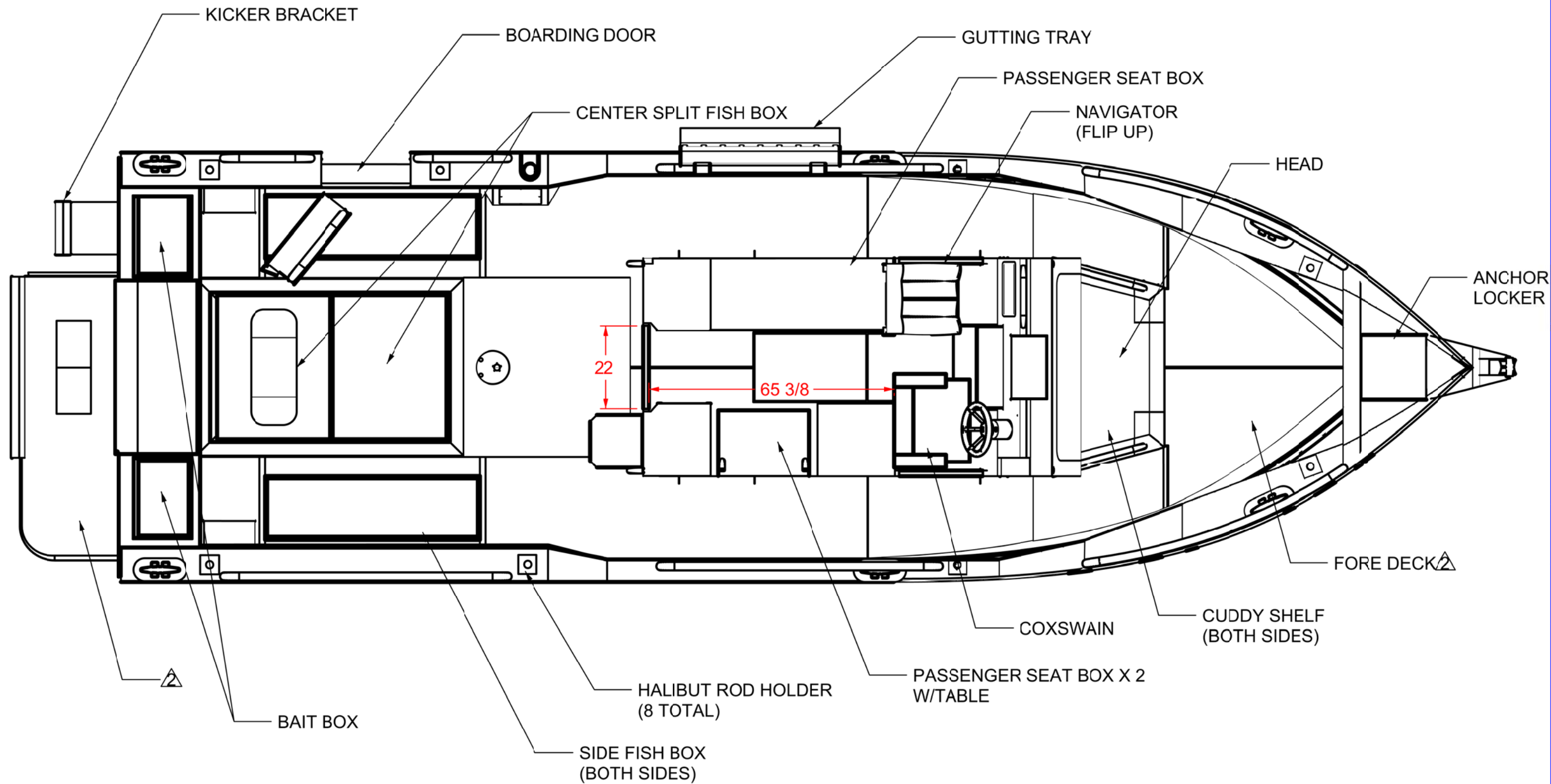
30' X 9'6" SOUNDER WA

GENERAL VESSEL DIMENSIONS

DRAWN BY: C. BOYD  
DATE: 11-29-18  
SCALE: 1:42  
DRAWING FILE NO: NRB 30195 C818  
SHEET NO: 3 OF 5

ANGLING UNLIMITED



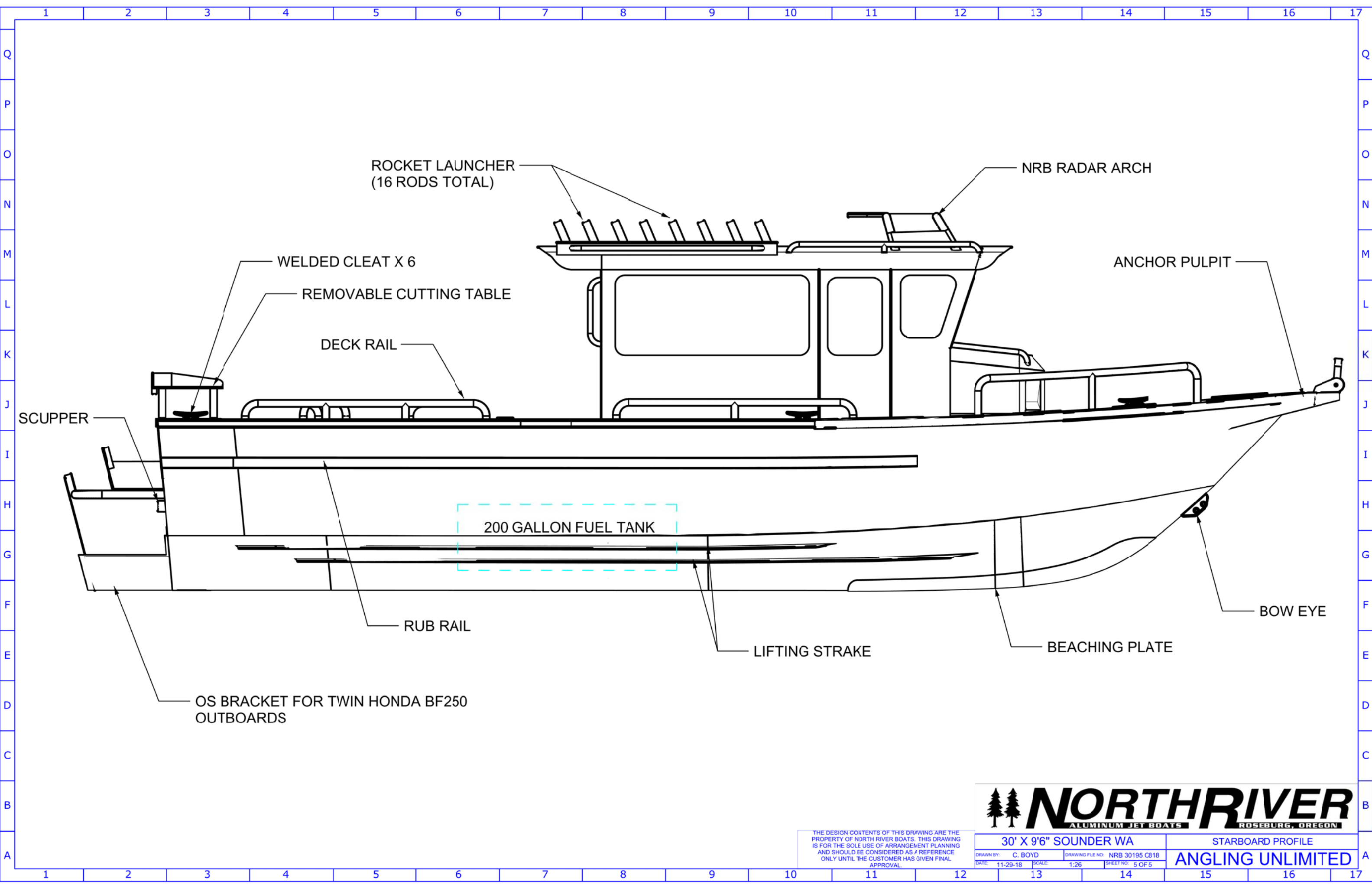


△ TO HAVE STOWAGE PROVISIONS FOR COOLER; FINAL DIMENSIONS TO BE DETERMINED UPON SELECTION OF COOLER  
 1. CABIN AND CUDDY ROOF HAVE BEEN REMOVED FROM CLARIFICATION

THE DESIGN CONTENTS OF THIS DRAWING ARE THE PROPERTY OF NORTH RIVER BOATS. THIS DRAWING IS FOR THE SOLE USE OF ARRANGEMENT PLANNING AND SHOULD BE CONSIDERED AS A REFERENCE ONLY UNTIL THE CUSTOMER HAS GIVEN FINAL APPROVAL.



30' X 9'6" SOUNDER WA		TOP PROFILE	
DRAWN BY: C. BOYD	DRAWING FILE NO: NRB 30195 C818	ANGLING UNLIMITED	
DATE: 11-29-18	SCALE: NTS	SHEET NO: 4 OF 5	



ROCKET LAUNCHER  
(16 RODS TOTAL)

NRB RADAR ARCH

WELDED CLEAT X 6

ANCHOR PULPIT

REMOVABLE CUTTING TABLE

DECK RAIL

SCUPPER

200 GALLON FUEL TANK

RUB RAIL

LIFTING STRAKE

BEACHING PLATE

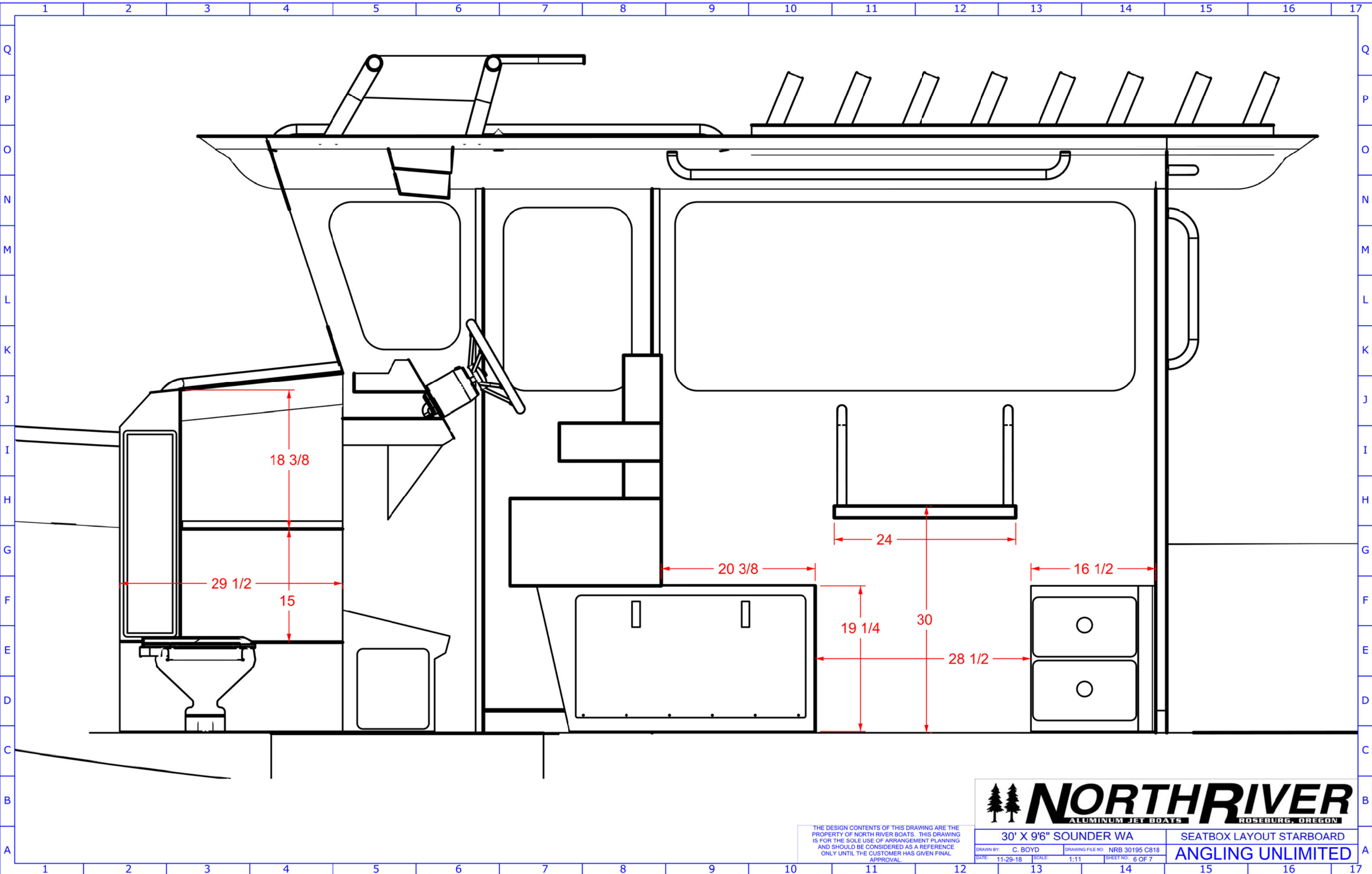
BOW EYE

OS BRACKET FOR TWIN HONDA BF250  
OUTBOARDS

THE DESIGN CONTENTS OF THIS DRAWING ARE THE  
PROPERTY OF NORTH RIVER BOATS. THIS DRAWING  
IS FOR THE SOLE USE OF ARRANGEMENT PLANNING  
AND SHOULD BE CONSIDERED AS A REFERENCE  
ONLY UNTIL THE CUSTOMER HAS GIVEN FINAL  
APPROVAL.



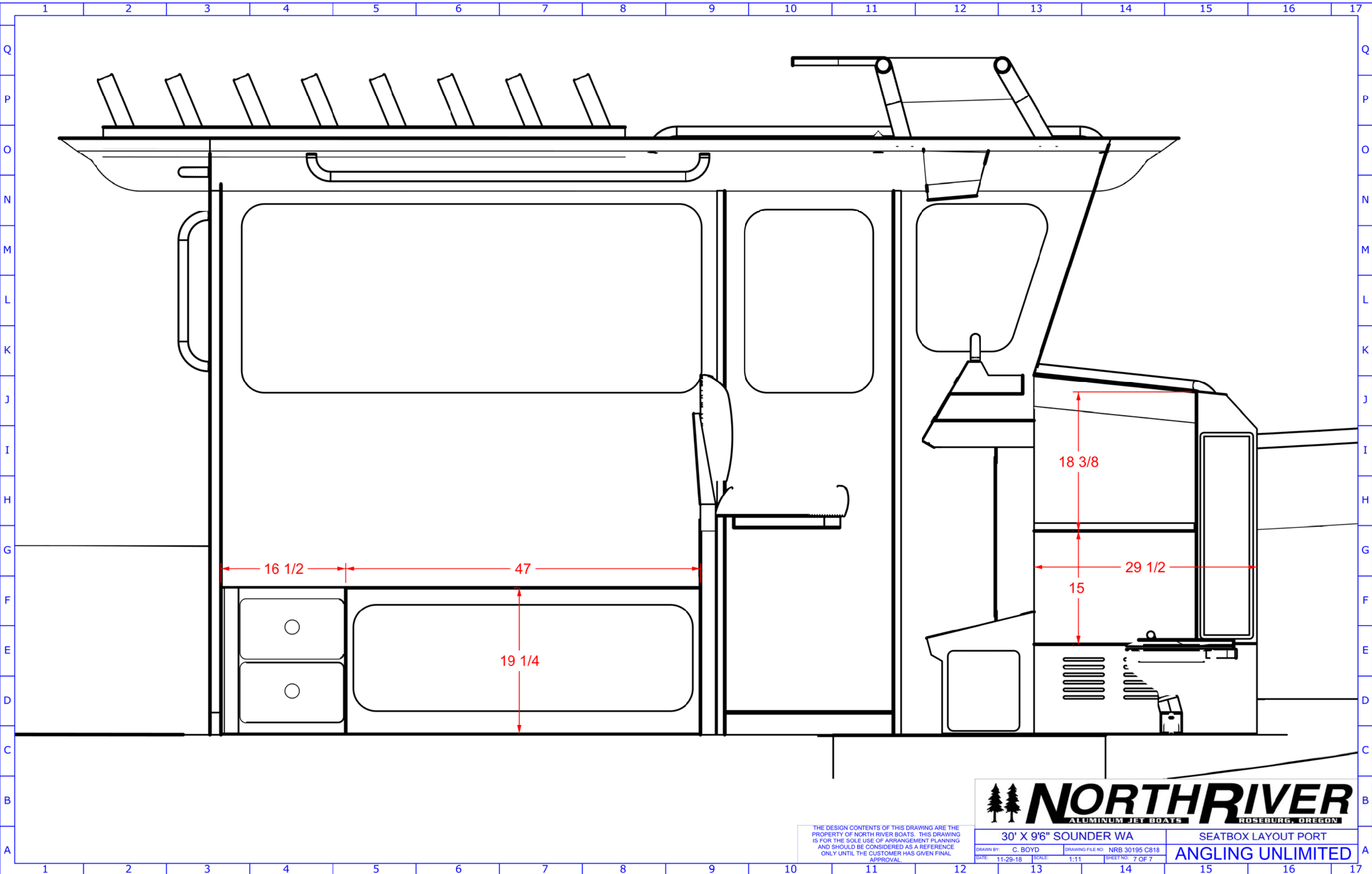
30' X 9'6" SOUNDER WA		STARBOARD PROFILE	
DRAWN BY: C. BOYD	DRAWING FILE NO: NRB 30195 C818	ANGLING UNLIMITED	
DATE: 11-29-18	SCALE: 1:26	SHEET NO: 5 OF 5	



THE DESIGN CONTENTS OF THIS DRAWING ARE THE  
 PROPERTY OF NORTH RIVER BOATS. THIS DRAWING  
 IS FOR THE SOLE USE OF ARRANGEMENT PLANNING  
 AND SHOULD BE CONSIDERED AS A REFERENCE  
 ONLY UNTIL THE CUSTOMER HAS GIVEN FINAL  
 APPROVAL.



30' X 9'6" SOUNDER WA		SEATBOX LAYOUT STARBOARD	
DRAWN BY: C. BOYD	DRAWING FILE NO: NRB 30195 C818	ANGLING UNLIMITED	
DATE: 11-29-18	SCALE: 1:11	SHEET NO: 6 OF 7	



THE DESIGN CONTENTS OF THIS DRAWING ARE THE PROPERTY OF NORTH RIVER BOATS. THIS DRAWING IS FOR THE SOLE USE OF ARRANGEMENT PLANNING AND SHOULD BE CONSIDERED AS A REFERENCE ONLY UNTIL THE CUSTOMER HAS GIVEN FINAL APPROVAL.



30' X 9'6" SOUNDER WA		SEATBOX LAYOUT PORT	
DRAWN BY: C. BOYD	DRAWING FILE NO: NRB 30195 C818	ANGLING UNLIMITED	
DATE: 11-29-18	SCALE: 1:11	SHEET NO: 7 OF 7	